

# Cabinet Installation Guide

## Included with your cabinet

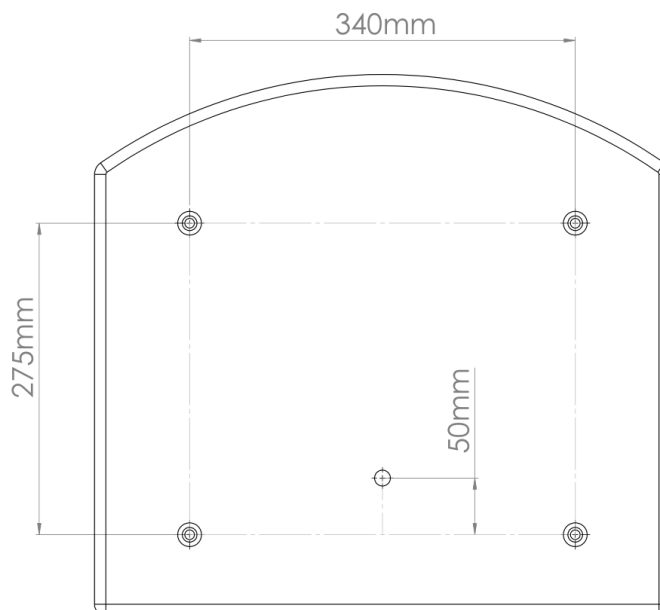
- ✓ 4 x M6 expansion bolts, to fix the cabinet to a wall
- ✓ 4 x M6 penny washers, to use inside the cabinet
- ✓ Entry code
- ✓ 2 x Cabinet side stickers
- ✓ Cabinet User Guide

## Electrical Information

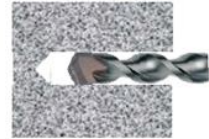
- This cabinet meets Class II double insulation standards
- The heater is rated 50W (note: a brief, yet high, inrush current occurs for approx. 0.5 sec.)
- The LED strip is rated 3W
- Hardwire the cabinet to a 3A fused spur.

## Mounting the cabinet to a building

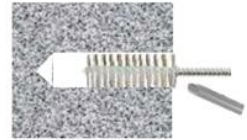
1. Risk asses your install location.  
Choose a site where the cabinet will not take drainage (e.g. water dripping from a roof) and ideally, a site which avoids the cabinet being in direct sunlight for extended periods of time.
2. Remove cabinet from packaging.
3. Measure and mark the four fixing hole locations (W:340mm, H:275mm), ensuring the **bottom** of the cabinet is approximately 1.1m up off the ground.
4. Measure the mid-point between the 2 lower holes, then measure 50mm vertically up and mark. This is for the power cable hole. Offer up cabinet to check alignment.



5. Drill out the four fixing holes, using an appropriate 12mm drill bit.
  - a. Clear dust and debris from holes.



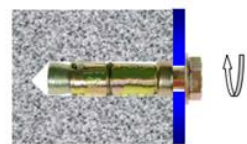
6. Drill out the power cable hole - angle the hole slightly uphill to prevent water ingress.



7. Insert the anchors and tighten the bolts to expand and secure the sleeves.



8. Now unscrew the bolts, offer up the cabinet, and attach using the same bolts along with the M6 penny washers.



**Do not over-tighten** as this may distort the cabinet if the mounting surface is not flat – use resin mounted bolts and spacers if necessary.

9. Run the power cable through the wall.

10. A competent person should hard wire the cabinet to a fused spur, with isolation switch (use an all-pole disconnecting device, with contact gap of at least 3mm in the switched off state). The feed to the cabinet should also be protected by a Residual Current Device (RCD).

## Final Checks

- Once there is power to the cabinet, the internal light will come on and the heater will be ready
- The heater is pre-set to automatically switch on at ~8C and switch off at ~15C
- Fit the two Heart Restarter stickers onto the sides of the cabinet (if desired). Align them with the smooth areas, to ensure good adhesion
- There is an Information Sticker inside the cabinet with maintenance instructions, electrical information and the cabinet serial number.

If you have any queries, please contact your cabinet supplier.